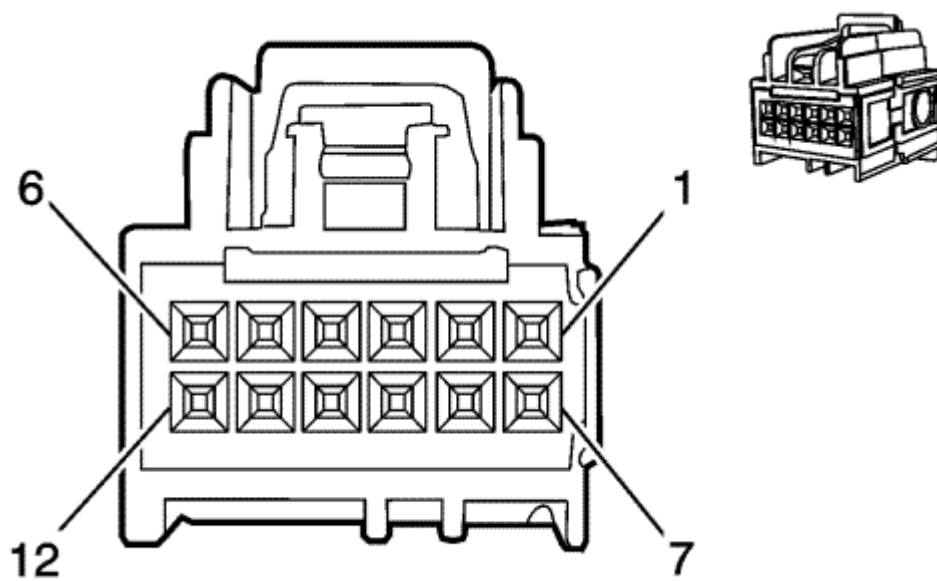


## S30 Headlamp Switch



### Connector Part Information

- Harness Type: Instrument Panel
- OEM Connector: 13235934
- Service Connector: 13316200
- Description: 12-Way F 0.64 Micro Quadlok Series (BK)

### Terminal Part Information

- Terminated Lead: Pending
- Release Tool: Pending
- Diagnostic Test Probe: Pending

### S30 Headlamp Switch

Pin	Wire	Circuit	Function
1	0.35 YE	7556	Lighting Control Switch Reference
2	--	--	Not Used
3	0.35 D-GN/GY	13	Headlamp Switch Park Lamp Signal
4	0.35 WH/VT	103	Headlamp Switch On Signal
5	0.35 D-GN/BN	306	Headlamp Switch Headlamps Off Signal Control (T83 or TTW)
6	0.5 BK	1650	Ground
7	0.35 YE	6817	LED Backlight Dimming Control
8	--	--	Not Used
9	0.5 VT/D-GN	39	Run/Crank Ignition 1 Voltage
10	0.5 BN/YE	189	Headlamp Levelling Motor Supply Voltage
11	--	--	Not Used
12	0.35 WH/BN	7555	Lighting Control Switch Signal