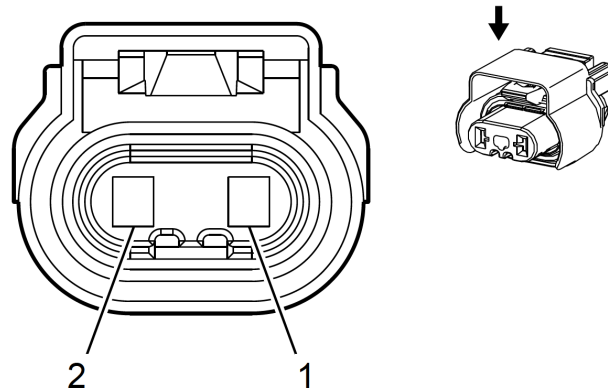


E29RF Fog Lamp - Right Front (T3U)



Connector Part Information

- Harness Type: Body
- OEM Connector: 15336116
- Service Connector: Pending
- Description: 2 F 280 GT Series, Sealed BK
- Harness Type: Forward Lamp
- OEM Connector: 15336116
- Service Connector: Pending
- Description: 2 F 280 GT Series, Sealed BK

Terminal Part Information

Terminal Type ID	Terminated Lead	Diagnostic Test Probe	Terminal Removal Tool
I	Service by Connector	J-35616-4A (PU)	J-38125-553
II	Service by Connector	J-35616-4A (PU)	J-38125-553

E29RF Fog Lamp - Right Front (T3U)

Pin	Size	Color	Circuit	Function	Terminal Type ID	Option
1	1	BN/VT – Brown/Violet	2234	Front Fog Lamp Supply Voltage	II	-
2	1.5	BK – Black	1050	Ground	II	-