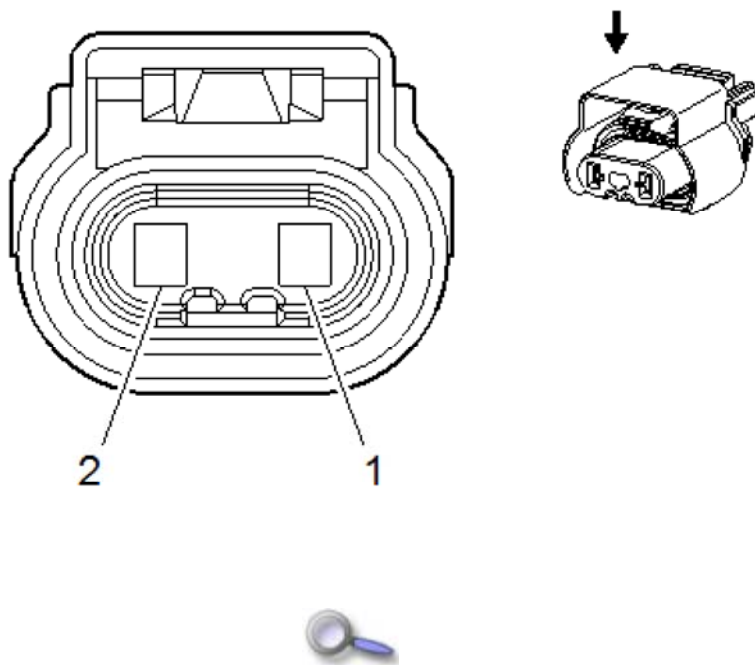


## E29LF Fog Lamp - Left Front (T3U)



### Connector Part Information

- Harness Type: Body
- OEM Connector: 15336116
- Service Connector: Pending
- Description: 2 F 280 GT Series, Sealed BK
- Harness Type: Forward Lamp
- OEM Connector: 15336116
- Service Connector: Pending
- Description: 2 F 280 GT Series, Sealed BK

### Terminal Part Information

Terminal Type ID	Terminated Lead	Diagnostic Test Probe	Terminal Removal Tool
I	Service by Connector	J-35616-4A (PU)	J-38125-553

### E29LF Fog Lamp - Left Front (T3U)

Pin	Size	Color	Circuit	Function	Terminal Type ID	Option
1	1	BN/VT – Brown/Violet	2234	Front Fog Lamp Supply Voltage	I	-
2	1	BK – Black	1350	Ground	I	-

© 2017 Opel Automobile GmbH. All Rights Reserved. The reproduction, distribution or modification is not permitted.